



BARRIER-FREE VERSACOOLER® II

P8AC, PAC

Suggested Specification

Model P8AC shall deliver 8.0 gph of 50° F degree water at 90° F ambient and 80° F inlet water. Model PAC is a non-refrigerated drinking fountain and delivers ambient water. Models P8AC and PAC shall include front and side push pads to activate the flow of water. Basin shall be designed to eliminate splashing and standing water. Bubbler shall have flexible guard and operate between 20 and 120 psi. Cabinet finish shall be Sandstone or Greystone **powder coated** paint on galvanized steel or brushed stainless steel. Cooling system shall use R-134a refrigerant. Shall comply with ANSI A117.1 and ADA. Shall be listed by Underwriters Laboratories, certified to the Air Conditioning and Refrigeration Institute Standard 1010, certified by Canadian Standard Institute and conform to European Union Directives. Shall comply with ANSI/NFS 61.

Models

P8AC Delivers 8.0 gallons of chilled drinking water per hour.

PAC A non-refrigerated fountain.

These models satisfies CABO/ANSI A117.1 and these water coolers comply with ADA requirements when properly installed. Models also meet guidelines for children's accessibility providing the floor to orifice height is 30 inches or less and proper clear floor space is provided for parallel approach.

Standard Features

- Built-in 100 micron strainer stops particles before they enter the waterway
- Waterways Are Lead-Free In Materials & Construction
- Stainless Steel Top
- Flexible Bubbler Guard
- Heavy Duty Galvanized Steel Frame
- High Efficiency Cooling Tank and Coil
- Refrigerant R-134a
- Four Push Pad Activation
- External Stream Height Adjustment

Finishes

- Standard Cabinet Finish: Sandstone **powder coated** paint on galvanized steel
- Optional finishes at no additional cost: Greystone **powder coated** paint on galvanized steel
- Optional finishes at additional cost: Stainless Steel, Regency Bronze, and optional **powder coated** finishes

Options (at additional cost)

- Glass Fillers (Factory Installed) Stainless steel bubbler
- Push Handle (029603-004)
- Push Back (029603-005)
- Push Down (029603-006)

Installation

- Prior to roughing consult with local, state, and federal codes for proper mounting height.
- Shipped with complete instructions and wall mounting bracket.
- Removable side and front panels provide easy access for installation.



ADA Compliant for both adult or child when properly installed.



Components in these water coolers are lead free as defined by the Safe Drinking Water Act Amendments of 1986, and the Lead Contamination Control Act of 1988.

Limited 5-Year Warranty (Continental limits of the United States and Canada only): Five years on the sealed refrigeration system and most component parts. Detailed warranty certificate enclosed with each water cooler; sample available upon request.

Powder Coated Finish Warranty (Continental limits of the United States and Canada): Three years on the powder coat finish provided that the water cooler has not been subjected to abuse, misuse, or alteration.

Export Warranty: One year on the sealed refrigeration system and most component parts. Four-year replacement contract on sealed refrigeration system. Detailed warranty certificate enclosed with each water cooler; sample copy available upon request.

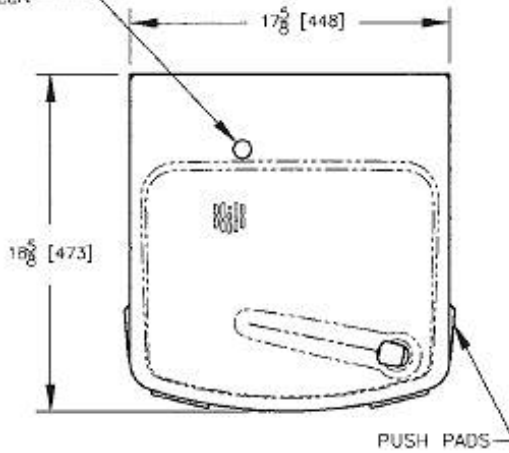
Models covered by these specifications comply with all known Plumbing Codes. Listed by Underwriters' Laboratories. Certified by Canadian Standards Association, and Certified to Air Conditioning and Refrigeration Institute Standard 1010.



Model	50° F Drinking Water 90° F Ambient Air Temp*			Hot'N Cold™ Model	115 Volts, 60 HZ			Glass Filler Acc. Option	Cabinet Color Option	Net Wt. Approx.
	Rated Capacity GPH	Base Rate GPH	Pre-Cooler		Compr. HP	Full Load Amps	Rated Watts			
P8AC**	8.0	8.0	No	No	1/4	4.6	400	Yes	Yes	59 Lbs.
PAC	Fountain Only							Yes	Yes	25 Lbs.

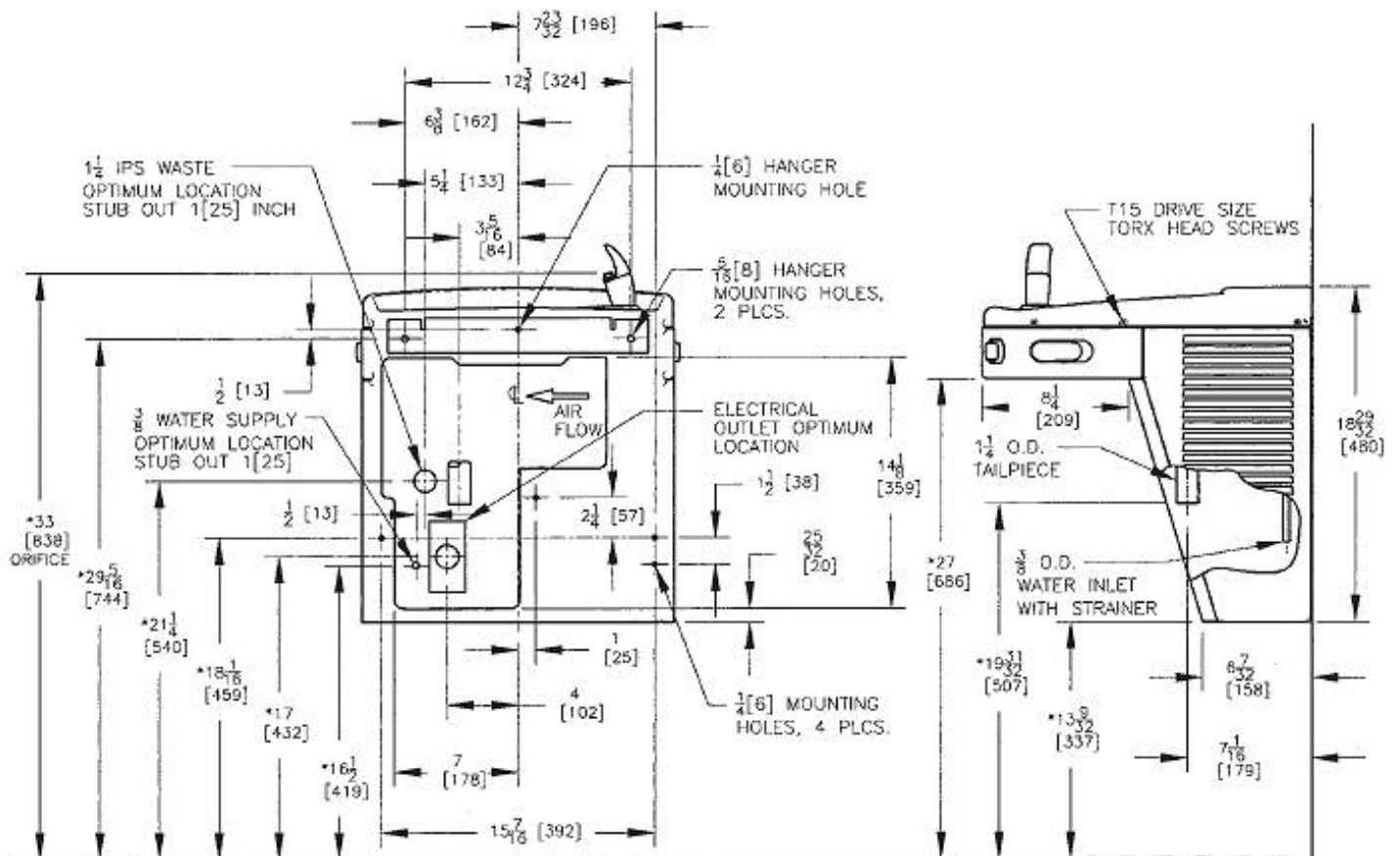
VERSACOOLER® II MODELS P8AC, PAC

OPTIONAL GLASSFILLER LOCATION

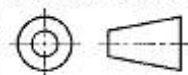


NOTES:

1. TRAP, STOP VALVE AND ELECTRICAL OUTLET NOT FURNISHED.
2. ALLOW 4 INCHES [102 MM] MIN. PER SIDE FOR VENTILATION.
- *3. RECOMMENDED ADULT BARRIER FREE HEIGHT INSTALLATION SHOWN. REDUCE HEIGHT BY 3 INCHES FOR INSTALLATIONS USED PRIMARILY BY CHILDREN AGES 12 AND YOUNGER. UNIT SHALL ALSO HAVE A MINIMUM CLEAR FLOOR SPACE 30" [760] BY 48" [1220]. ADJUST VERTICAL DIMENSIONS AS REQ'D TO COMPLY WITH FEDERAL, STATE, AND LOCAL CODES.
4. ALL DIMENSIONS ARE IN INCHES. DIMENSIONS IN BRACKETS [] ARE IN MILLIMETERS.



THIRD ANGLE PROJECTION



ROUGHING-IN AND DIMENSIONAL DRAWING